

Videojet® 1710

Small Character Ink Jet Printer

Ink Jet.

Laser.

Thermal Transfer.

Labelers.

Track & Trace.

Supplies.

Parts & Service.

Superior uptime in diverse applications for easily readable codes. The all-new Videojet 1710 continuous ink jet printer is designed for customers requiring high contrast coding from a reliable, easy to operate and simple to maintain system.

Advanced capabilities

- Innovative ink management design maximizes uptime
- High-contrast, pigmented inks create bright, clean codes on dark or difficult surfaces, dramatically exceeding standard dye-based inks
- Advanced connectivity makes integration simpler
- Up to 5 lines of high resolution print with speeds up to 888 fpm (271 m/min)

Simple to maintain

- Industry leading 4,000-hour production with high contrast ink before preventative maintenance is required
- Modular core design for predictable and easy maintenance



Uptime Peace of Mind

- Advanced Clean Flow™ printhead design reduces the frequency of printhead cleanings for even the toughest pigmented inks

VIDEOJET
Uptime Peace of Mind®



Special Core Engineered for Pigmented Inks



- Intelligent clustering of pigmented filters and components with similar life spans for reliability and easy maintenance
- New conical ink reservoir minimizes natural effects of pigment settling
- Core eliminates messy filter and pump replacement

Line Speed Capability

1-5 lines of print, up to 888 fpm (271 mpm) at 60 dpi (see Print Sample Guide)

Font Matrix Configuration

Resolution range; 5x5 through 25x34 dot matrix (see Print Sample Guide)

Linear Bar Codes

UPC-A/E, EAN-8/13, Code 128 A/B/C, UCC/EAN 128, Code 39, I 2 of 5, GS1

2-D Codes

DataMatrix: 10x10 through 32x32 and 18x8 through 48x16

Nominal Character Height

0.080" (2 mm) – 0.40" (10 mm), font dependent

Printhead to Substrate

0.2" (5 mm) - 0.6" (15 mm), 0.5" (12 mm) optimal

Keyboard

Membrane tactile feedback. 72 alpha-numeric and special function keys. Approximates international PC convention.

Display

320x240 bright backlit LCD display, 5.7" (14.5 cm)

Custom Logo/Graphics

Created by user on printer or PC with optional Logo Creator software

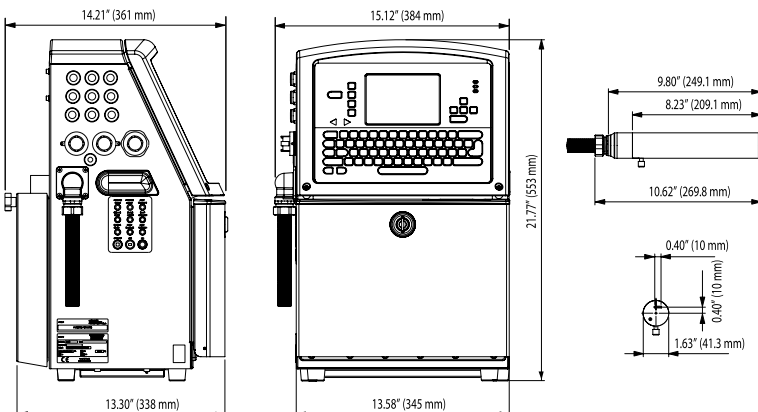
Character Sets

English, Arabic, Bulgarian, Chinese, East European, Greek, Hebrew, Kanji, Korean Russian, Scandinavian, Turkish

Languages and Interface Options

English, Arabic, Bulgarian, Simple Chinese, Traditional Chinese, Czech, Danish, Dutch, Finnish, French, German, Greek, Hebrew, Hungarian, Italian, Japanese, Korean, Norwegian, Polish, Portuguese, Russian, Spanish, Swedish, Thai, Turkish, Vietnamese

Dimensions (IP65 Version Shown)



Printhead Extends Intervals Between Cleanings



- High-efficiency nozzle reduces printhead cleaning through precisely formed and directed ink drops
- Manifold circulates fluids to enable clean starts/stops
- Specially filtered air from perforated front face directs ink and dust away from printhead to reduce build up
- Smooth deck for easy cleaning of pigmented ink

Data Interface

RS232, RS485 and ethernet (standard)
Clarisoft/Clarinet® via RS232 and ethernet
Message management via USB

Message Storage

250 messages standard

Environmental Protection

IP55 (IP65 option, no plant air required); stainless steel cabinet

Printhead

Positive air standard. Diameter 1.63" (41.3 mm), length 10.62" (269.8 mm), 60/70 micron nozzle.

Printhead Umbilical

Length 9.8' (3 m), optional 19.7' (6 m), diameter 0.9" (23 mm), bend radius 3.0" (76 mm)

Fluids Containers

Ink; 0.63 qt (600 ml) and Make-Up; 0.79 qt (750 ml) cartridges

Temperature/Humidity Range

41 °F to 113 °F (5 °C – 45 °C), 0-90% RH (non-condensing)

Electrical Requirements

100-120 / 200-240 VAC at 50/60 Hz, 120 W

Approximate Weight

46 lbs (21 kg)

Options

Ink Shaker (ink dependent), Dry Air Kit. Expanded I/O for remote messaging and remote printer control. Wide range of accessories.



800-843-3610

www.videojet.com / info@videojet.com

Videojet Technologies Inc. / 1500 Mittel Blvd.

Wood Dale IL 60191-1073 / USA

Phone 630-860-7300 Fax 800-582-1343

